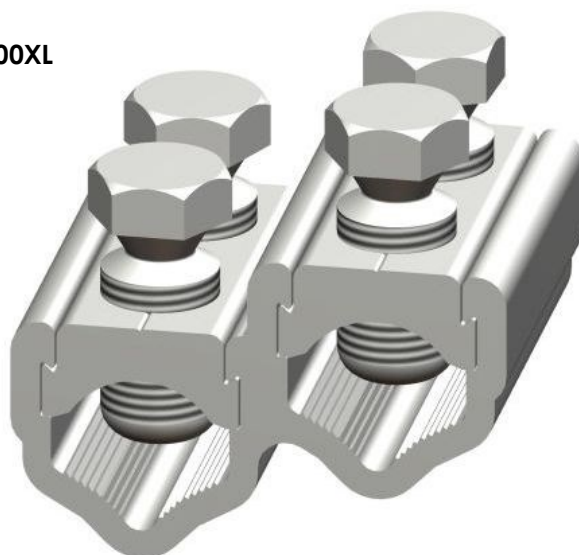


**Mains Branch
Connectors**

**MECHANICAL
CONNECTORS**

**WB95, WB95XL, WB185,
WB185XL, WB300 & WB300XL
Connectors**



Principle Application

For LV mains branch jointing of sector/round, stranded/solid, aluminium/copper conductor cores.

Range:

Connector Ref (Part Number)	Core csa mm ² (in ²)				Approx Unit Weight (gms)
	Mains		Branch		
	Min	Max	Min	Max	
WB95 (51803-59)	25 (0.04)	95 (0.15)	25 (0.04)	95 (0.15)	105
WB95XL (51803-41)					TBC
WB185 (51803-04)	35 (0.06)	185 (0.3)	35 (0.06)	185 (0.3)	225
WB185XL (51803-43)					TBC
WB300 (51801-42)	70 (0.1)	300 (0.5)	70 (0.1)	300 (0.5)	350
WB300XL (51803-14)					TBC

Note: For jointing other core configurations/sizes please contact Sicame Engineering Dept.

The **Sicame WB95/WB95XL** range of mains branch connectors accommodates an extensive range of LV mains cable styles and sizes.

The connector utilises the proven shear head, direct acting bolts (plated) thereby removing the need for pressure plates.

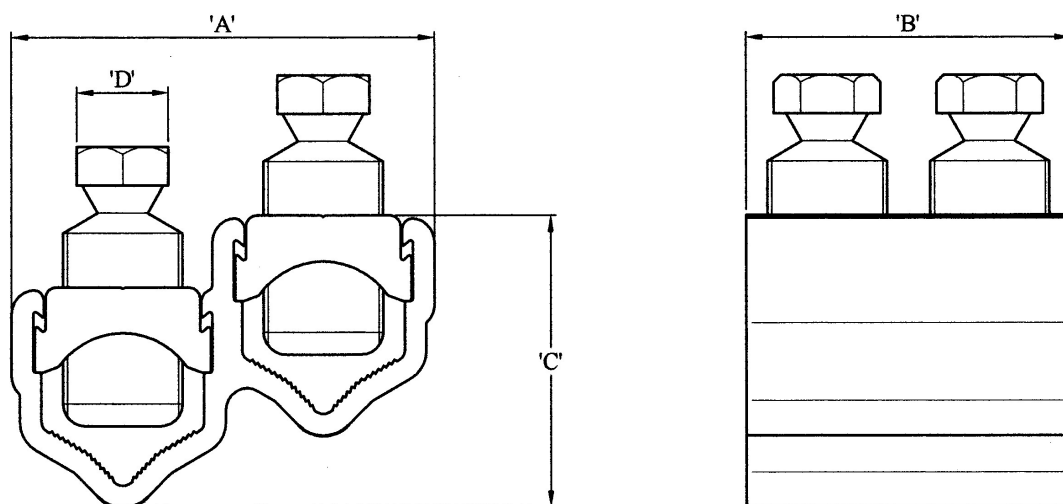
The plated bolts, combined with a standard plated yoke section, allow for the joining of copper conductor cores without the need for conventional brass gauze.

Note: For the jointing of CNE strands add the suffix 'N' to the end of the product code, pressure pads will then be included.

Mains Branch Connectors

MECHANICAL CONNECTORS

WB95, WB95XL, WB185, WB185XL, WB300 & WB300XL Connectors



Connector Reference (Part Number)	N° of Bridge Pieces Supplied	Dimensions (mm)			
		A	B	C	D
WB95 (51803-59)	2	50.0	43.0	31.5	13 A/F
WB95XL (51803-41)	4		86.0		
WB185 (51803-04)	2	67.0	54.0	44.0	17 A/F
WB185XL (51803-43)	4		108.0		
WB300 (51801-42)	2	78.0	60.0	53.0	17 A/F
WB300XL (51803-14)	4		120.0		

Material

Aluminium Alloy

Test Specification

Designed to meet the requirements of Engineering Recommendation C79 and IEC 1238-1.

©COPYRIGHT

Sicame UK Ltd operates a continuous product design development and improvement programme and offers active co-operation establishing satisfactory procedures and systems to meet new or unusual jointing situations. The company reserves the right to introduce modifications to the above designs and specifications without prior notice.

sicame
UK

1.32b

APRIL 2020