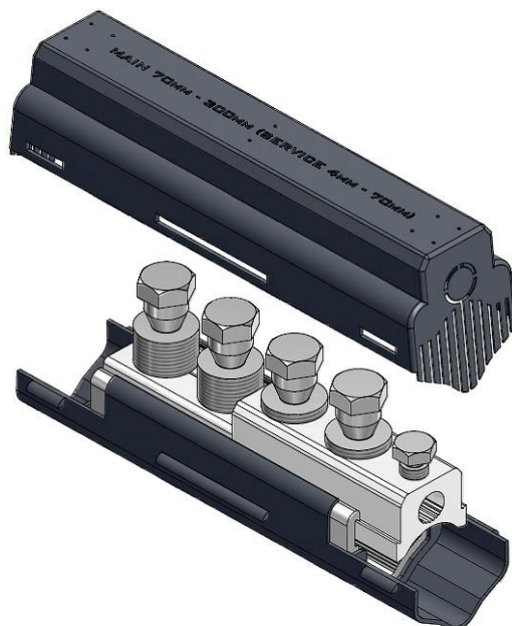


Straight-through mains
Connectors
(with single service)

MECHANICAL CONNECTORS

UM95M/SS/SHR, UM185M/SS/SHR & UM300M/SS/SHR Connectors



Principle Application:

For LV straight jointing of sector/round, stranded/solid, aluminium/copper conductor cores.

Range:

Connector Reference	Core C.S.A. mm ² (in ²)			
	Mains		Service x 1	
	Min	Max	Min	Max
UM95M/SS/SHR	25 (0.04)	95 (0.15)	4	70
UM185M/SS/SHR	35 (0.06)	185 (0.3)	4	70
UM300M/SS/SHR	70 (0.1)	300 (0.5)	4	70

Note: For jointing other core configurations/sizes please contact Sicame Engineering Dept.

The **Sicame UMxxxSS/SHR** range of straight through mains connectors accommodates an extensive range of LV cable styles and sizes.

The connector utilises the proven shear head, direct acting bolts (plated) thereby removing the need for pressure plates and come complete with 'snap' together polypropylene shrouds.

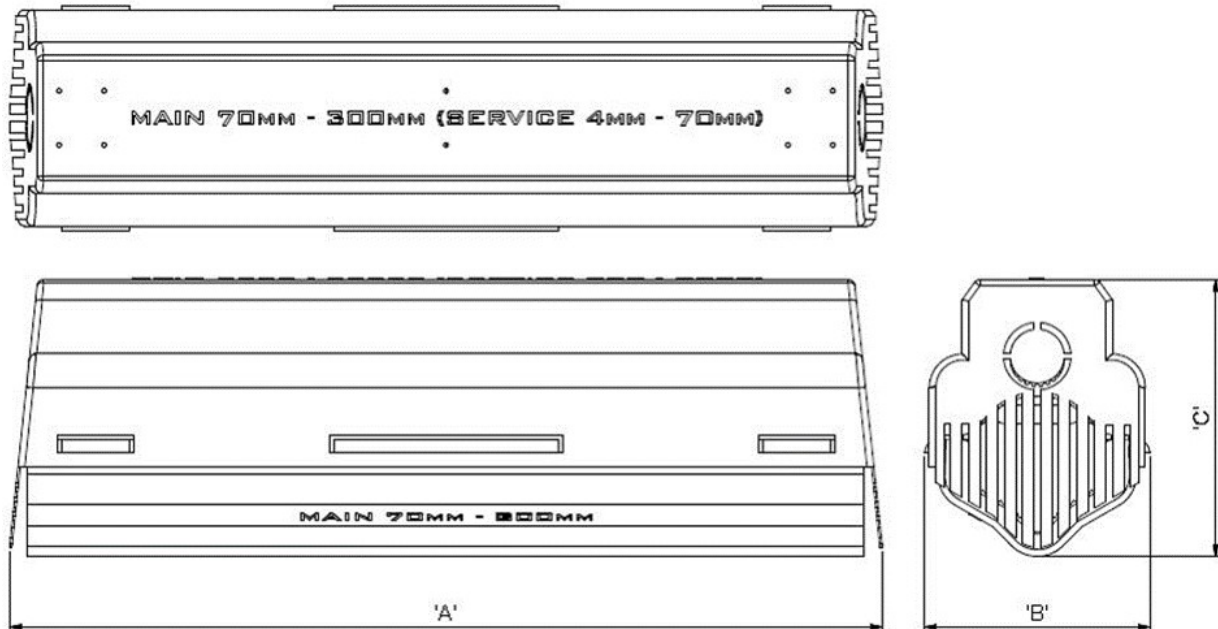
The plated bolts, combined with a standard plated yoke section, allow for the jointing of copper conductor cores without the need for conventional brass gauze.

Facility is provided for the connection of 1 off service or for cross bonding of transition joints.

Straight-through mains
Connectors
(with single service)

MECHANICAL CONNECTORS

UM95M/SS/SHR, UM185M/SS/SHR & UM300M/SS/SHR Connectors



Connector Reference	Dimensions (mm)		
	'A'	'B'	'C'
UM95M/SS/SHR	157.0	36.0	46.0
UM185M/SS/SHR	180.0	44.0	54.0
UM300M/SS/SHR	193.0	50.0	60.5

Material:

Connector: Aluminium Alloy
Shroud: Polypropylene

Test Specification:

Designed to meet the requirements of ERC79 and BS EN6128-1.