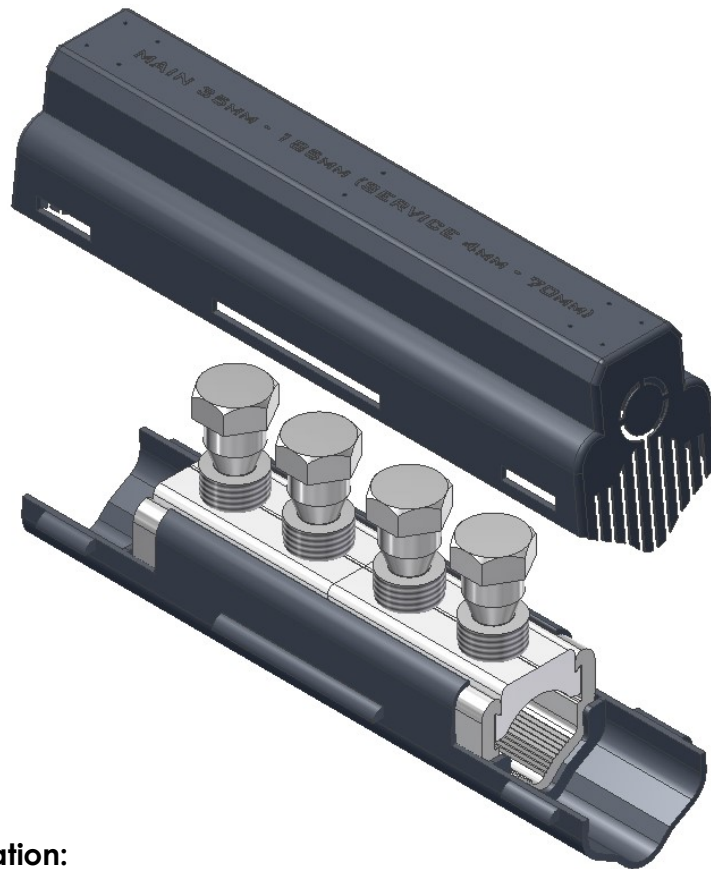


Straight-through mains connectors

MECHANICAL CONNECTORS

UM95M/SHR, UM185M/SHR & UM300M/SHR Connectors



Principle Application:

For LV straight jointing of sector/round, stranded/solid, aluminium/copper conductor cores.

Connector Reference (Part Number)	Core C.S.A. mm ² (In ²)	
	Min	Max
UM95M/SHR (51801-39)	16 (0.0225)	95 (0.15)
UM185M/SHR (51801-37)	35 (0.06)	185 (0.3)
UM300M/SHR (51801-38)	70 (0.1)	300 (0.5)

Note: For jointing other core configurations/sizes please contact Sicame Engineering Dept.

The **Sicame UMxxxM/SHR** range of straight through mains connectors accommodates an extensive range of LV cable styles and sizes.

The connector utilises the proven shear head, direct acting bolts (plated) thereby removing the need for pressure plates and come complete with 'snap' together polypropylene shrouds.

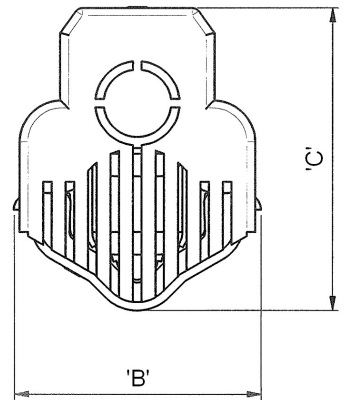
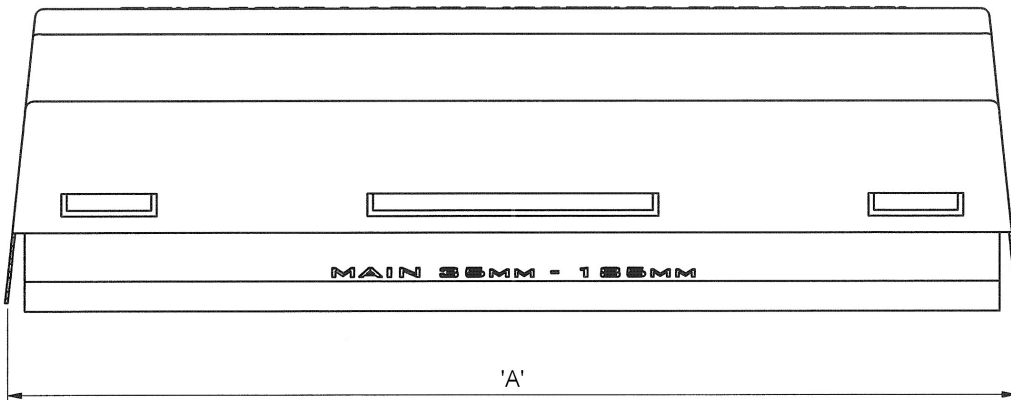
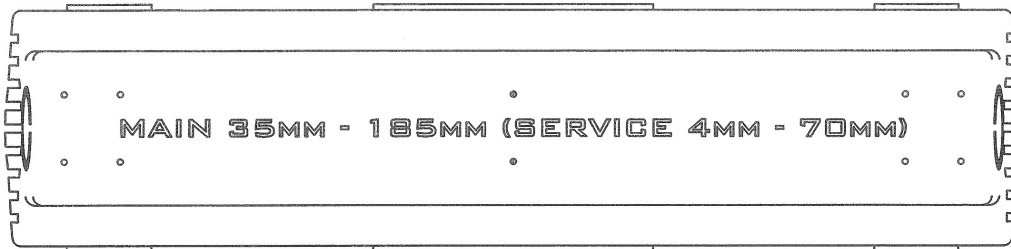
The plated bolts, combined with a standard plated yoke section, allow for the jointing of copper conductor cores without the need for conventional brass gauze.

Straight-through mains connectors

MECHANICAL CONNECTORS

UM95M/SHR, UM185M/SHR & UM300M/SHR Connectors

Physical Dimensions:



Connector Reference (Part Number)	Dimensions (mm)		
	'A'	'B'	'C'
UM95M/SHR (51801-39)	157.0	36.0	46.0
UM185M/SHR (51801-37)	180.0	44.0	54.0
UM300M/SHR (51801-38)	193.0	50.0	60.5

Material:

Connector: Aluminium Alloy
Shroud: Polypropylene

Test Specification:

Designed to meet the requirements of ERC79 and BS EN 61238-1