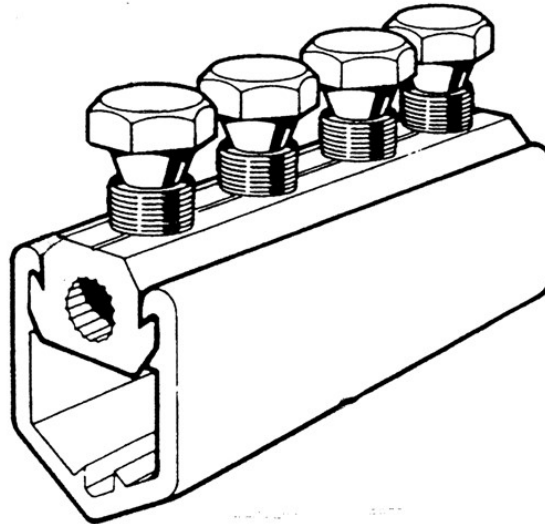


Insulation-piercing  
straight-through mains  
connectors

## MECHANICAL CONNECTORS

### PCM1 Connector



### Principle Application

Solid sector aluminium cables

### Range

Connector Reference	Core c.s.a (mm <sup>2</sup> )		Approx Unit Wt. (grams)
	min.	max.	
PCM1/1	50	95	140
PCM1/2	95	185	240
PCM1/3	120	300	345

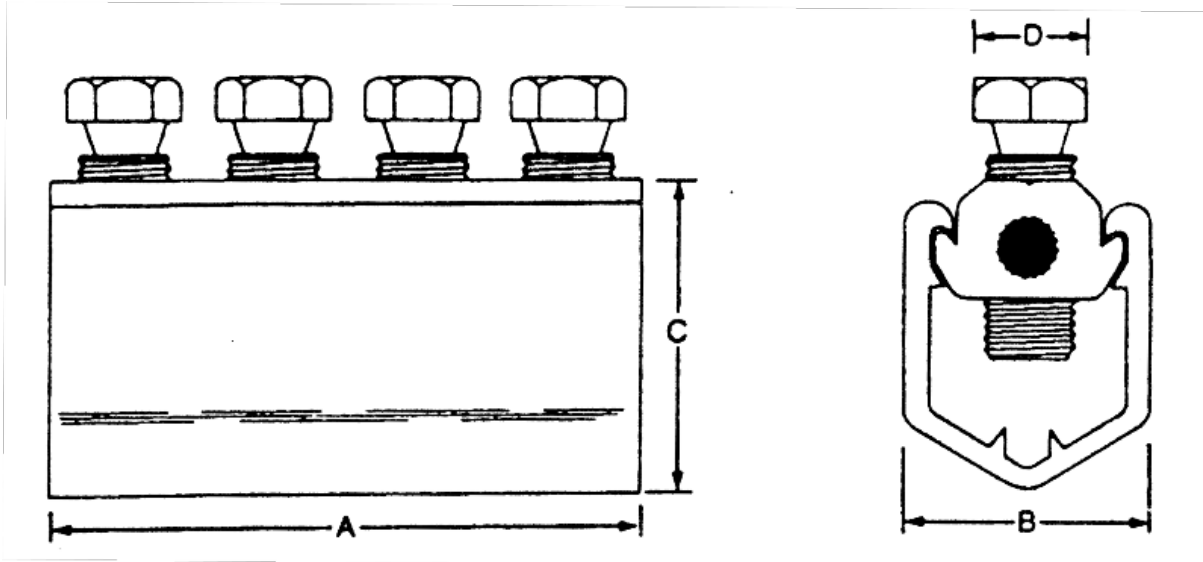
The Sicame range of mechanical insulation-piercing mains connectors has been designed specifically for the live jointing of three and four core solid aluminium mains cables, and offers the advantage of making straight-through 'on-load' connections.

The convenient and reliable method of connecting all designs of solid section aluminium cable offers an improved level of safety during live jointing.

Each connector is supplied in a sealed pack together with fitting instructions. Further details of fitting procedures are included with the technical data overleaf. Details of insulation techniques are available on request.

**PCM1 Connector**

**Physical Dimensions**



Ref. Code	Dimensions (mm)			
	A	B	C	D
PCM1/1	90	26.2	37.7	13.0
PCM1/2	100	33.2	43.6	17.0
PCM1/3	120	40.2	48.1	17.0

**Material**

Aluminium Alloy.

**Fitting Instructions**

Align the cores to be connected and loosely assemble the connectors around the cores, making sure that it is centrally located. Once the assembly is correctly aligned, tighten the screws consecutively, one turn at a time, until the heads are sheared from all four screws.

These connectors have been designed to accept each conductor in either normal (apex-down) or cross-cored configurations.