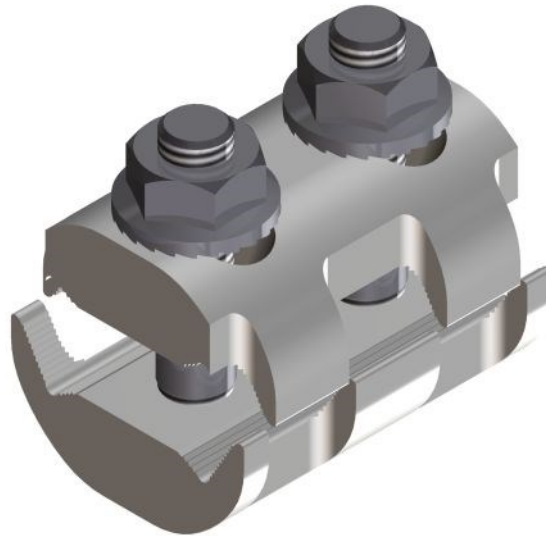


- Mains Straight Connector
- Mains Branch

## MECHANICAL CONNECTORS

### LVM Connector



#### Principle Application:

- ESI 09-8 : Impregnated Paper-Insulated 600/1000 Volt (CONSAC)
- ESI 09-9 : Polymeric Insulated, Combined Neutral/Earth (Waveform)
- BS6346 : PVC Insulated 600/1000 Volt Cable
- BS6480 : Impregnated Paper Insulated Lead or Lead Alloy (PILC)

#### Range:

Connector Reference (Part Number)	Core C.S.A. (mm <sup>2</sup> )			
	Mains		Mains/Branch	
	Min	Max	Min	Max
LVM 1 (51803-52)	35	95	35	95
LVM 2 (51810-11)	35	185	35	185
LVM 3	35	300	35	300

Note: For jointing other core configurations/sizes please contact Sicame Engineering Department

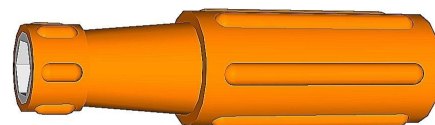
The Sicame **LVM...** range of connectors has been designed to provide the end user with a cost effective and safe method of jointing all types of LV cables, particularly, in a live 'on-load' jointing situation using a single range of profiled mechanical connectors.

The LVM range of connectors have been tested and witnessed (EA Technology) to confirm their ability to pick up 600 Amps @ 240V.

The LVM connectors are also suitable for jointing an extensive range of LV cables including aluminium or copper, solid or stranded, shaped or circular (service) conductor cores.

#### Accessories:

- LV Fitted Insulation Shroud for:-
- LVM 1 - Part No: 4346 + ties (x3)
- LVM 2 - Part No: 4349 + ties (x3)
- LVM 3 - Part No: 4352 + ties (x3)



'JTS/21' Insulated Nut Runner

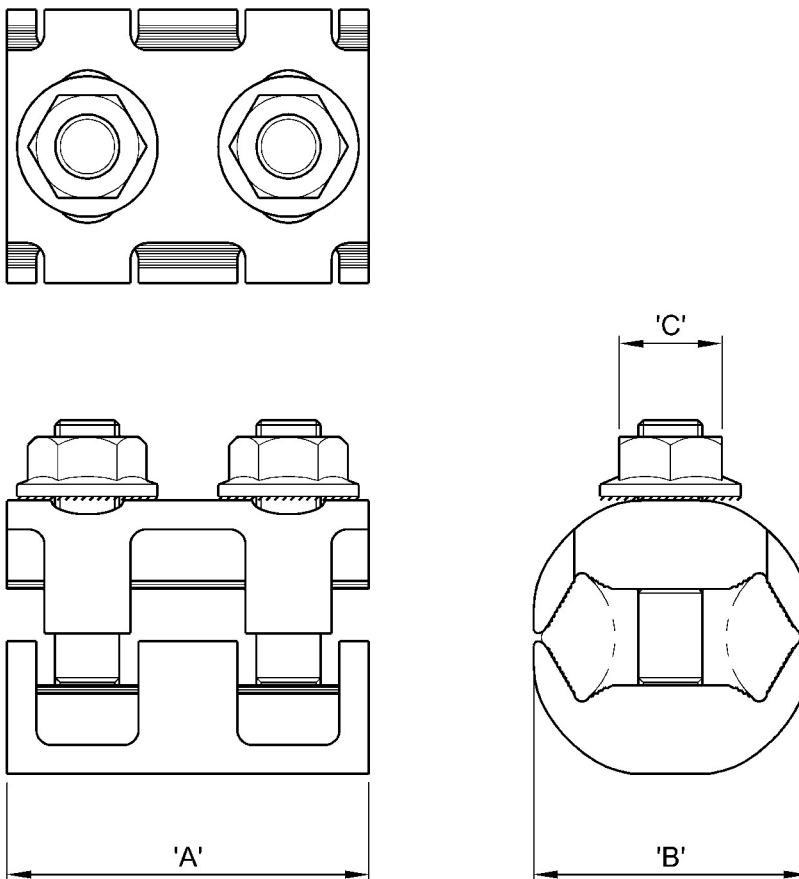
(See Technical Data Sheet 8.09 for product specification)

- Mains Straight Connector
- Mains Branch

## MECHANICAL CONNECTORS

### LVM Connector

#### Physical Dimensions



Connector Reference (Part Number)	Dimensions (mm)		
	'A'	'B'	'C'
LVM 1 (51803-52)	45	34	13 A/F
LVM 2 (51810-11)	45	44	13 A/F
LVM 3	50	54	13 A/F

#### Material:

Aluminium Alloy (Electro-Tinned)