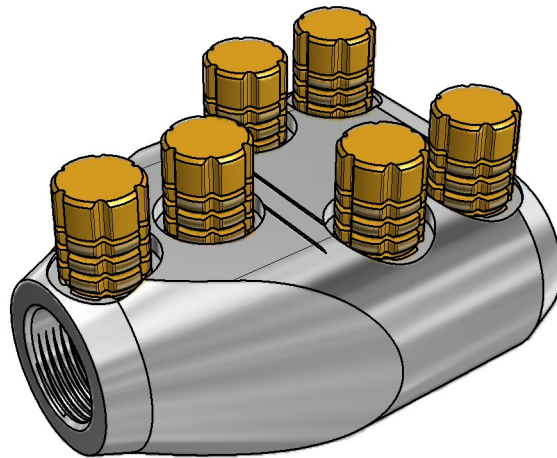


Mechanical 'Y' Connector  
with Moisture/Contaminant  
Block for Medium/High  
Voltage Applications

## MECHANICAL CONNECTORS

### 'USMB/FPL-X-C-B2' Copper 'Y' Connector



#### Principle Application:

'Y' Branch jointing of circular copper or aluminium stranded conductors.

#### Range:

Connector Reference	Stranded Core Size			
	2 x Main		1 x Tap	
	Min	Max	Min	Max
USMB/FPL-2-C-B2	350 kcmil (177mm <sup>2</sup> )	750 kcmil (380mm <sup>2</sup> )	#3 (27mm <sup>2</sup> )	350 kcmil (177mm <sup>2</sup> )
USMB/FPL-4-C-B2	2/0 (67mm <sup>2</sup> )	500 kcmil (253mm <sup>2</sup> )	2/0 (67mm <sup>2</sup> )	500 kcmil (253mm <sup>2</sup> )

The '**USMB**' range of mechanical 'Y' connectors incorporate an integral moisture/contaminant block and utilise the patented MK2 solid universal range taking brass shear bolts. (USA Patent No's 6209424 & 6321624)

The appropriate socket is to be used at all times, typical examples shown below.

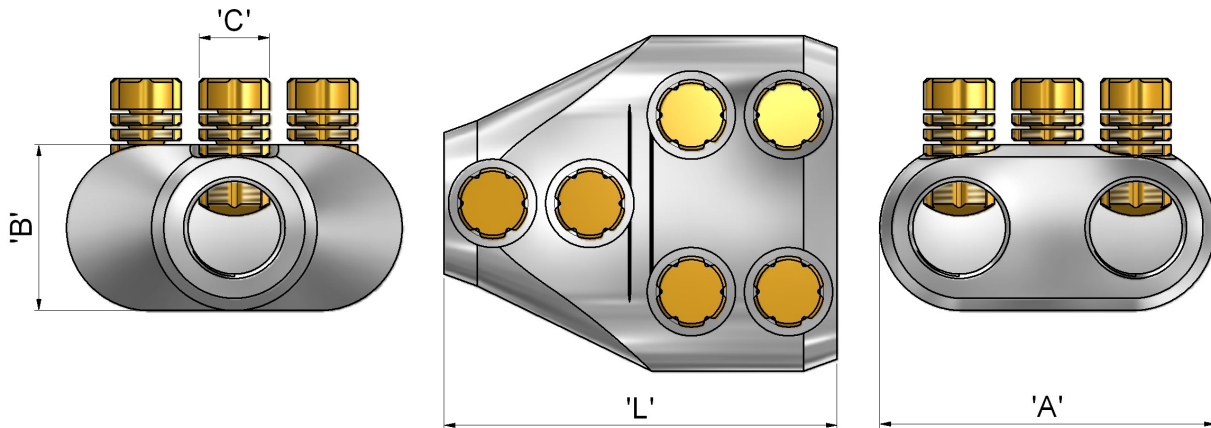


'JTS/26' 1/2" sq Driver

Mechanical 'Y' Connector  
with Moisture/Contaminant  
Block for Medium/High  
Voltage Applications

## 'USMB/FPL-X-C-B2 Copper 'Y' Connector

### Physical Dimensions:



Connector Reference	Dimensions			
	'L'	'B'	'A'	'C'
USMB/FPL-2-C-B2	3.50" (89mm)	1.48" (37.5mm)	3" (76mm)	M16
USMB/FPL-4-C-B2	3.50" (89mm)	1.48" (37.5mm)	3" (76mm)	M16

**Material:** Copper (Electro-Tinned)

**Test Specification:** ANSI C119.4 Class 2 Partial Tension / IEEE 404

### Fitting instructions:

1. Strip insulation from each core equal to the depth of the bore.
2. Wire brush the exposed conductor cores and wipe clean (optional).
3. Align and position the conductor cores in each of the bores ensuring that the core is fully inserted to the centre wall.
4. Fit the universal shear screws within the connector and torque tighten one turn at a time, using the correct socket, until the bolts have sheared.