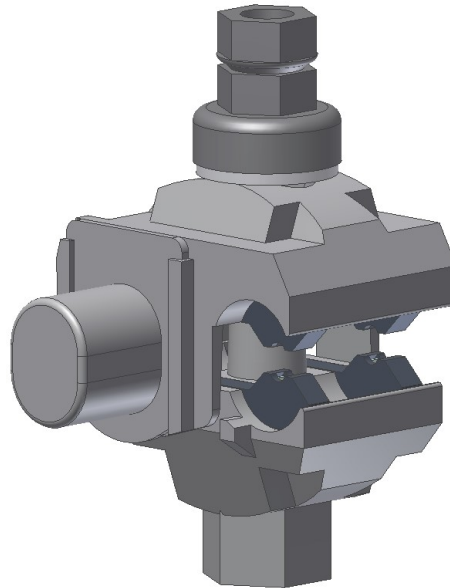


SS Connectors



Principle Application:

ESI 09-7 Service: P.V.C Insulated Concentric Service Cable.

- single core circular stranded copper.
- single or three phase circular solid aluminium.

Range:

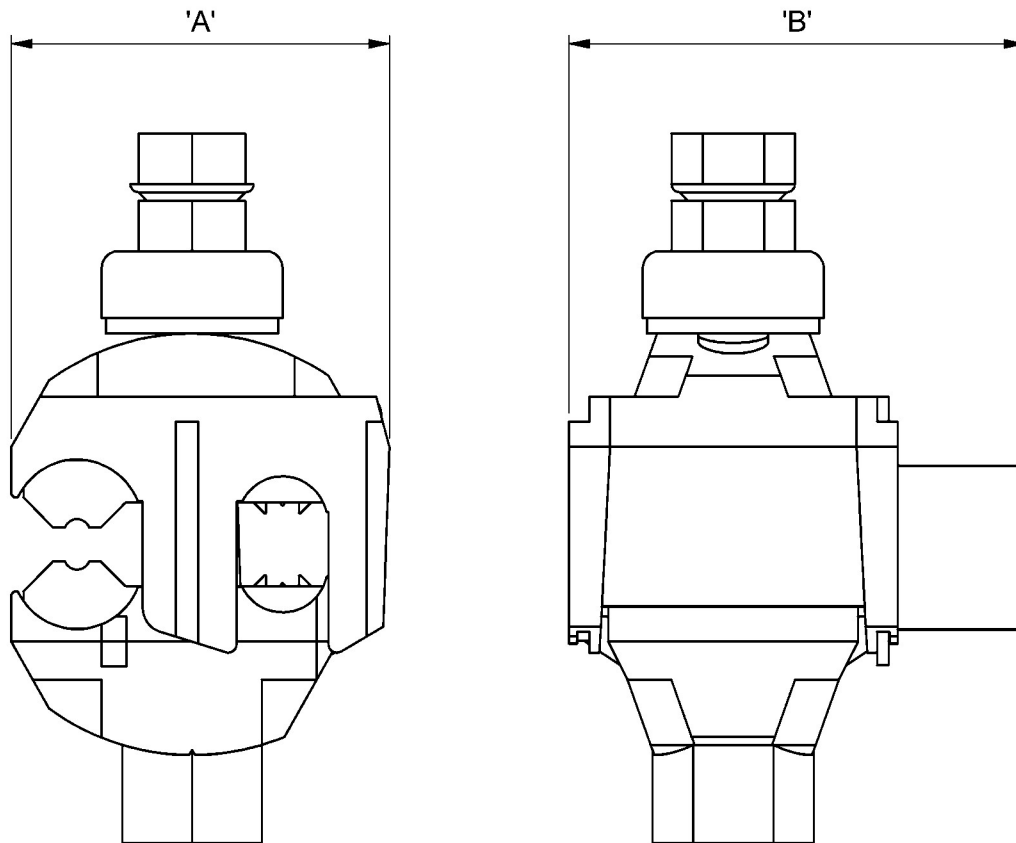
| Connector Reference (Part Number) | Phase Conductor (mm ²) | |
|--------------------------------------|------------------------------------|--------------------------|
| | Circular Stranded Copper | Circular Solid Aluminium |
| SS 35/4 (54616-51) | 4 | 25 |
| | 4 | 35 |
| | - | 35 - 35 |
| | - | 25 - 35 |
| | - | 25 - 35 |

The Sicame LV **Fully Insulated** insulation-piercing service/service connector has been specifically designed to improve the level of safety during live jointing by eliminating the need to remove the core insulation.

This connector offers a quick, reliable and **inherently safe** method for the connection of both stranded and circular solid service cables.

SS Connectors

Physical Dimensions



| Connector Reference (Part Number) | Dimensions (mm) | |
|--------------------------------------|-----------------|-----|
| | 'A' | 'B' |
| SS 35/4 (54616-51) | 44 | 55 |