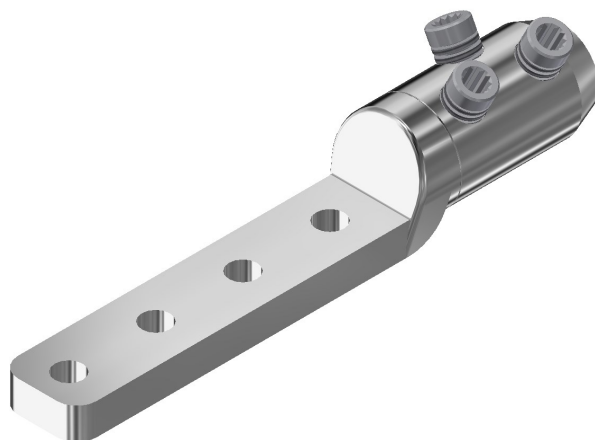


Mechanical termination
with moisture / contaminant
block

MECHANICAL CONNECTORS

LVML/3-4H Aluminium Connector



Principle Application:

Termination of circular stranded aluminium or copper conductors.

Range:

Product Reference (Part Number)	Stranded Core Size		Stud Size
	Min	Max	
LVML/3-4H (51905-91)	500 kcmil (253mm ²)	1000 kcmil (507mm ²)	4 x 1/2"

The 'LVML/3-4H' 4-hole NEMA pad mechanical termination is machined from high grade aluminium alloy bar to provide a solid 'block' to prevent any external migration of moisture to the cable core.

The product utilises the patented fully range-taking Mk1 universal shear screws to ensure a good, consistent mechanical and electrical connection onto the cable core.

To ensure that the universal shear screws shear at the correct shear torque and 'flush' with the connector body, any of the following sockets must be used...



'JTS/9' 1/2" sq Drive



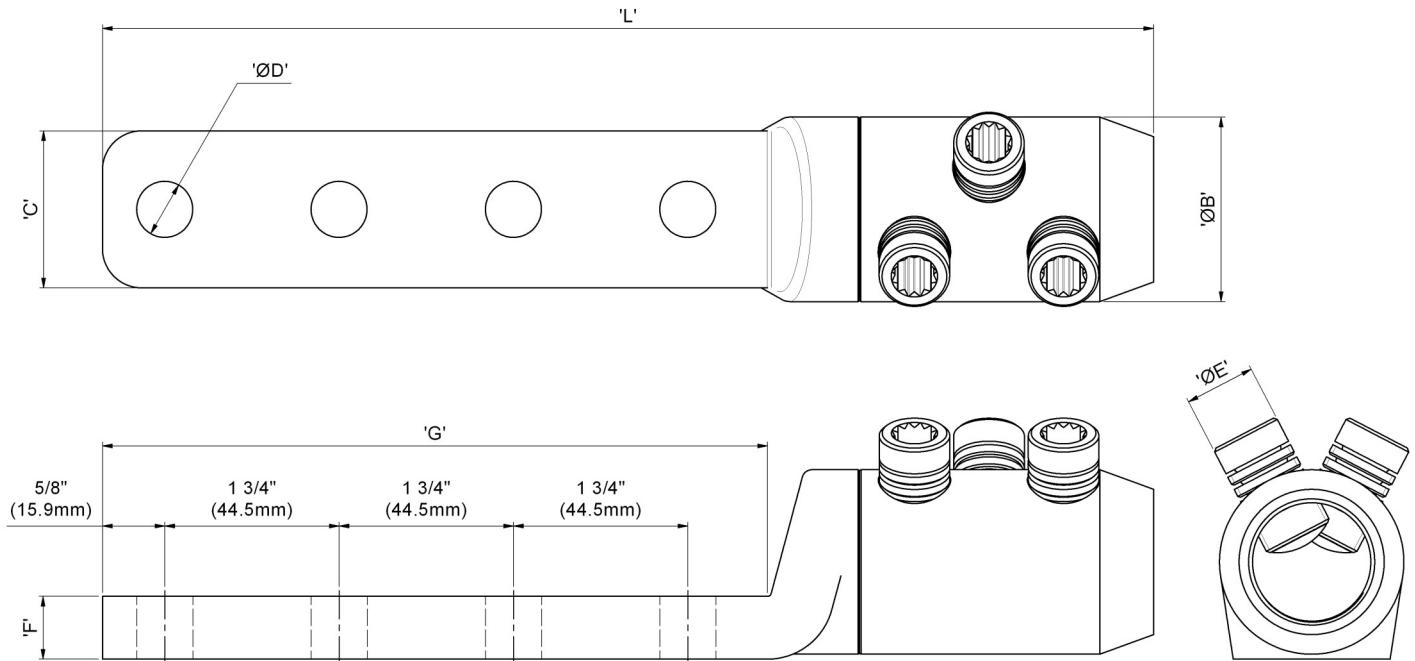
'JTS/37' 5/8" AF Drive (Disposable)

Mechanical termination
with moisture / contaminant
block

MECHANICAL CONNECTORS

LVML/...-4H Aluminium Connectors

Physical Dimensions



Product Reference (Part Number)	Dimensions						
	'L'	'ØB'	'C'	'ØD'	'ØE'	'F'	'G'
LVML/3-4H (51905-91)	10.55" (268mm)	1.85" (47mm)	1.57" (40mm)	0.56" (14.3mm)	M18	5/8" (16mm)	6.67" (169.5mm)

Material: Aluminium Alloy (Electro-Tinned)

Test Specification: Designed to meet the requirements of ANSI C119.4
Class 2 Partial Tension / IEEE 404

©COPYRIGHT

Sicame UK Ltd operates a continuous product design development and improvement programme and offers active co-operation establishing satisfactory procedures and systems to meet new or unusual jointing situations. The company reserves the right to introduce modifications to the above designs and specifications without prior notice.

sicame
UK

1.57h

JUNE 2021