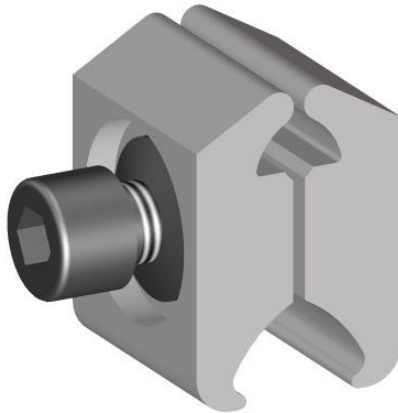
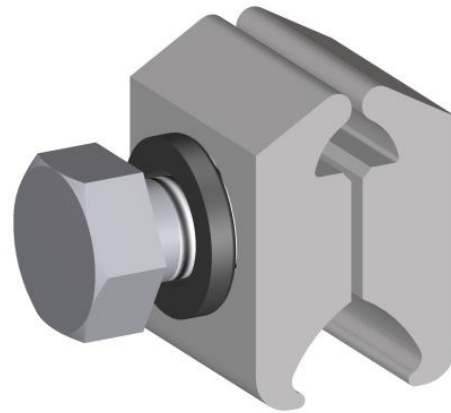


P3 to P9 Connectors



P3(H) to P9(H) Connectors



Principle Application:

Service connections from solid sector aluminium main conductors.

Range:

| Mains Core Size | Service Core Size | | | | | | | | | | | | | |
|-----------------------|-------------------|----|----|----|-----------------------|----|----|-------------------|----|----|----|-----------------------|----|----|
| | From 3-Core Mains | | | | | | | From 4-Core Mains | | | | | | |
| | Stranded Copper | | | | Circ. Solid Aluminium | | | Stranded Copper | | | | Circ. Solid Aluminium | | |
| mm ² | 4 | 16 | 25 | 35 | 16 | 25 | 35 | 4 | 16 | 25 | 35 | 16 | 25 | 35 |
| 70 | P3 | P3 | P3 | - | P3 | P3 | P3 | P3 | P3 | P3 | - | P3 | P3 | P3 |
| 95 | P3 | P3 | P3 | P3 | P3 | P3 | P3 | P3 | P3 | P3 | P3 | P3 | P3 | P3 |
| 120 | P4 | P4 | P4 | P3 | P4 | P4 | P4 | P3 | P3 | P3 | P3 | P3 | P3 | P3 |
| 150 | P4 | P4 | P4 | P4 | P4 | P4 | P4 | P4 | P4 | P4 | P4 | P4 | P4 | P4 |
| 185 | P6 | P6 | P6 | P6 | P6 | P6 | P6 | P5 | P5 | P5 | P4 | P5 | P5 | P5 |
| 240 | P7 | P7 | P7 | P7 | P7 | P7 | P7 | P6 | P6 | P6 | P6 | P6 | P6 | P6 |
| 300 | P8 | P8 | P8 | P8 | P8 | P8 | P8 | P9 | P9 | P9 | P9 | P9 | P9 | P9 |

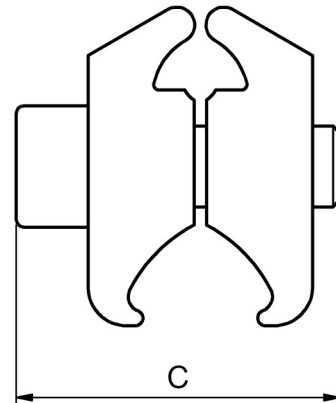
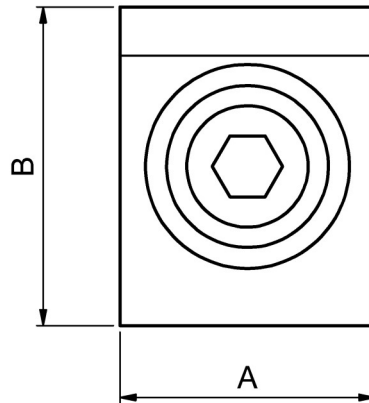
The **Sicame 'P'** and '**P(H)**' range of connectors provides a well established method of connecting service cables in the above range to solid sector aluminium mains cables.

Each connector is supplied complete with brass gauze as standard, in a sealed pack. Details of fitting procedures are included with the technical data overleaf.

NOTE: If required the P3 - P9 connectors can also be supplied with 13mm A/F hexagon head set screws, **Product code P3H - P9H.**

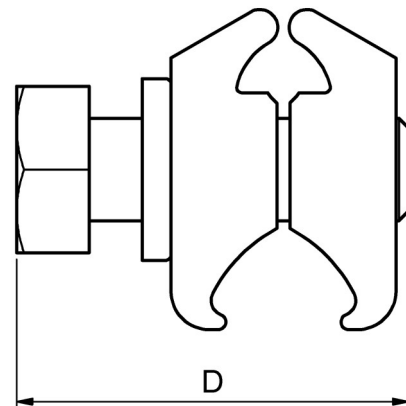
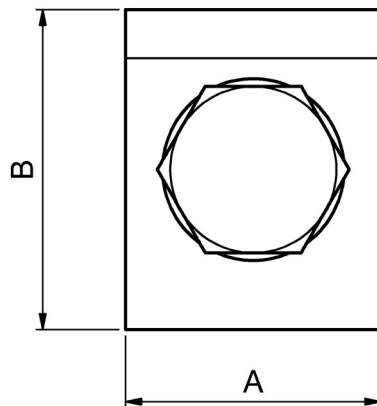
**P3 to P9
Connectors**

**Physical
Dimensions**



**P3(H) to P9(H)
Connectors**

**Physical
Dimensions**



| Ref. Code | Dimensions (mm) | | | |
|--------------|-----------------|----|----|------|
| | A | B | C | D |
| P3 | 20 | 25 | 26 | 30.5 |
| P4 | 20 | 26 | 32 | 30.5 |
| P5 | 20 | 26 | 32 | 35.5 |
| P6 | 20 | 28 | 32 | 35.5 |
| P7 | 20 | 27 | 32 | 35.5 |
| P8 | 20 | 30 | 35 | 40.5 |
| P9 | 20 | 30 | 35 | 40.5 |

Material:

Aluminium Alloy.

Fitting Instructions:

Strip the insulation from the mains core at the required position using the length of the connector as a guide and thoroughly abrade the exposed conductor. Cut the service cable to length, remove the insulation and abrade the conductor. Loosely fit the connector, ensuring that the mains and service conductors are correctly aligned. Fully tighten the socket head screw using a 3/16" A/F hexagonal drive or 13mm A/F ratchet spanner.

Stranded service conductors below 16mm² should be doubled and redoubled and, if copper service conductors are to be jointed, they should be wrapped in brass gauze. This not only improves the electrical stability of the interface connection, but also helps to contain the strands to prevent splaying.